

# AMC122 PRODUCT SHEET

## Intel® Core™ 2 Duo Processor AdvancedMC™ Module

### FEATURES

Intel Core 2 Duo Featuring a 64-Bit Dual-Core 2.16 GHz Processor

Full-Size, Single Compute Module

Ultra High-Performance Computing Solution for AdvancedTCA and MicroTCA Systems

MiniSD™ Site for Onboard Program and OS Storage

4 MB Shared L2 Cache

64-Bit Memory Addressability up to 8 GB, PC2-3200 DDR2 with ECC

TCP/IP Offload (TOE), iSCSI, RDMA, on Ethernet Channels

Full Compliance with AMC.0 R2.0, AMC.1 R1.0, AMC.2 R1.0, AMC.3 R1.0 Specifications

Supports Both 32- and 64-Bit Operating Systems:

- NexusWare® CGL OS and Development Environment
- Linux®
- Windows® XP
- Solaris™ 9/10



The AMC122 is an ultra high performance 64-bit AdvancedMC™ (AMC) single board compute module with the Intel® Core™ 2 Duo processor, which features a dual-core 2.16 GHz processor, designed for embedded applications. The AMC122 provides equipment manufacturers with the ability to extend and tailor the performance of their AdvancedTCA® and MicroTCA® systems to meet the increasing need for cost-effective and modular processing capabilities.

The Intel Core 2 Duo processor provides a highly scalable x86 architecture that delivers next-generation performance and a flexible upgrade path from 32- to 64-bit computing. Its dual-core architecture offers advanced processing speed while addressing the power and heat constraints of the AMC form factor. Designed to run Linux®, Solaris™, and Windows®-based applications, the AMC122 is the ideal processor for the high-end packet processing or multi-threaded software applications found in IMS, wireless, softswitch, defense, or any other compute-intensive application.

#### Hardware Features

The AMC122 features the Intel Core 2 Duo processor that supports dual-core operation with up to 8 GB DDR2 with ECC memory for unparalleled performance. The CPU is linked to the Intel 3100 embedded chipset via a 667 MHz front side bus. The 3100 supports two SATA interfaces and eight-lane PCI Express® to the AMC card edge connector. The AMC interface also includes dual 1 GB/2.5 Gb

Ethernet ports with support for TCP/IP Offload Engine (TOE), iSCSI, and Remote Direct Memory Access (RDMA). Connectivity on the front panel includes dual 1 Gb Ethernet ports, USB 2.0, and a serial console port. The onboard miniSD card site provides non-volatile storage space for an OS and applications. This allows the module to boot without an external connection and/or simple upgrading by swapping the miniSD card.

#### Flexible I/O and Super Computer Performance

The AMC122 is designed for use in AdvancedTCA carriers or MicroTCA chassis, and allows system designers to build NEBS-compliant, highly reliable solutions that combine state-of-the-art management with the highest performance power and cooling. A clustered computing architecture built with the AMC122 and a standards-compliant Advanced Managed Platform™ offering can outperform proprietary blade server architectures from both a computing-density-per-rack and a total-cost-of-ownership perspective.

#### NexusWare® Software Support

The AMC122 features support for PT's NexusWare software development environment. NexusWare is an integrated, CGL Registered, and POSIX-compliant Linux OS and development environment that features a graphically integrated toolset.



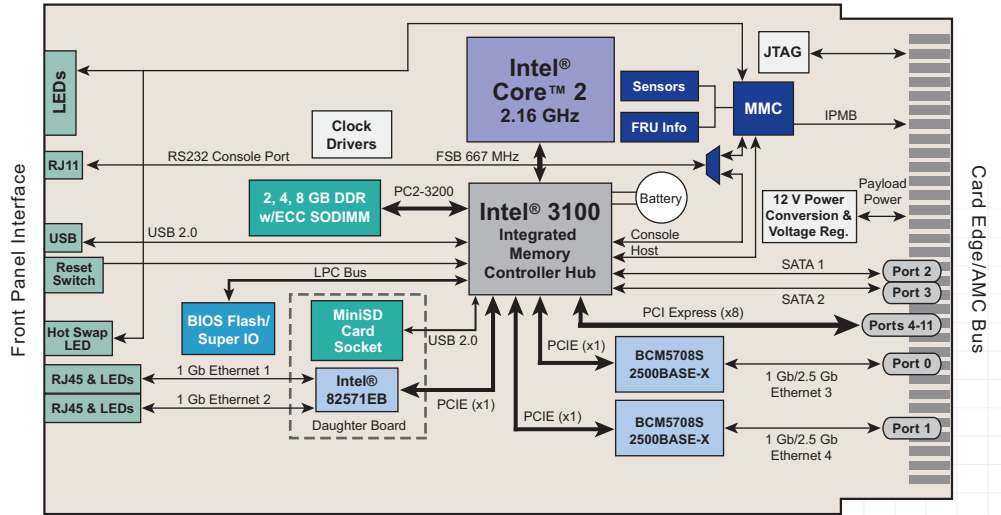
# AMC122 PRODUCT SHEET

## Technical Specifications

### ORDERING INFORMATION

PT-AMC122-12318

Dual-Core, X.86, 64-bit, 2.16 GHz,  
2 GB DDR



AMC122 – Full-Size, Single Compute Module

#### Processor

- Intel® Core™ 2 dual-core architecture:
  - Independent L1 cache structures per core
  - Shared L2 cache (4 MB)
  - 64-bit processor
- Compatible with existing 32-bit code base
- Enhanced Intel SpeedStep® technology for more efficient power management

#### Memory

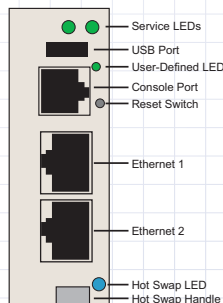
- Low latency, high bandwidth
- 64-bit DDR2 PC2-3200
- 200-pin SO-RDIMM
- Supports up to 8 GB DRAM
- ECC checking with double-bit detect and single-bit correct

#### Storage

- Onboard MiniSD card site with program and operating system storage space enables the module to boot without an external connection
- Compatible with AMC590 video and storage AdvancedMC™ Module

#### Front Panel Interfaces

- 2 x 10/100/1000 Ethernet Ports
- One USB 2.0 Port
- Serial Port
- LEDs
  - In-Service
  - Out-of-Service
  - Hot-Swap
  - User-Defined LED
- Reset Switch



#### AdvancedMC Connector Ports

- Port 0: 1 Gb/2.5 Gb Ethernet Channel 1 (AMC.2)
- Port 1: 1 Gb/2.5 Gb Ethernet Channel 2 (AMC.2)
- Port 2: SATA 1 (AMC.3)
- Port 3: SATA 2 (AMC.3)
- Ports 4-11: x8 PCI Express® Lanes (AMC.1)
  - x1, x4, or x8

#### Power Consumption

- Payload Power: +12 V
- Management Power: +3.3 V
- Typical: 40 W
- Maximum: 50 W

#### Mechanical

- Full-size, single AMC.0 form factor
- Dimensions: 73.5 mm (W) x 180.6 mm (D) x 28.95 mm (H) (2.9 in x 7.1 in x 1.1 in)
- Weight: TBD

#### Environmental

- Operating: 0 to 55°C (32 to 131°F)
- Non-operating: -20 to 80°C (-4 to 176°F)
- Humidity: 5 to 90% RH non-condensing

#### Agency Certifications (Pending)

- FCC Class A
- CE
- UL 60950
- EN 60950
- EN 300 386
- Designed to meet NEBS Level 3

#### MTBF

- 653,948 hours per Bellcore SR-332 Issue 1

### CONTACT US

205 Indigo Creek Drive  
Rochester, NY 14626

tel: +1.585.256.0200

fax: +1.585.256.0791

E-mail: sales@pt.com

