

AMC121 PRODUCT SHEET

Intel® Core™ 2 Duo Processor AdvancedMC™ Module

FEATURES

Intel Core 2 Duo Featuring a 64-Bit Dual-Core 1.5 GHz Processor

Mid-Size, Single Compute Module

High-Performance Computing Solution for AdvancedTCA and MicroTCA Systems

MiniSD™ Site for Onboard Program and OS Storage

4 MB Shared L2 Cache

64-Bit Memory Addressability up to 4 GB, PC2-3200 DDR2 with ECC

TCP/IP Offload (TOE), iSCSI, RDMA, on Ethernet Channels

Full Compliance with AMC.0 R2.0, AMC.1 R1.0, AMC.2 R1.0 Specifications

Supports Both 32- and 64-Bit Operating Systems:

- NexusWare CGL OS and Development Environment
- Linux
- Windows XP
- Solaris 9/10



The AMC121 is a 64-bit AdvancedMC™ (AMC) single board compute module with the Intel Core 2 Duo processor, which features a dual-core 1.5 GHz processor and is designed for high-performance embedded applications. The AMC121 provides equipment manufacturers with the ability to extend and tailor the performance of their AdvancedTCA® and MicroTCA® systems to meet the increasing need for cost-effective and modular processing capabilities.

The Intel Core 2 Duo processor provides a highly scalable x86 architecture that delivers next-generation performance and a flexible upgrade path from 32- to 64-bit computing. Its dual-core architecture offers advanced processing speed while addressing the power and heat constraints of the AMC form factor. Designed to run Linux®, Solaris™, and Windows®-based applications, the AMC121 is the ideal processor for the high-end packet processing or multi-threaded software applications found in IMS, wireless, softswitch, defense, or any other compute-intensive application.

Hardware Features

The AMC121 features the Intel Core 2 Duo processor that supports dual-core operation with up to 4 GB DDR2 with ECC memory for unparalleled performance. The CPU is linked to the Intel 3100 embedded chipset via a 667 MHz front side bus. The 3100 supports two SATA interfaces and eight-lane PCI Express® to the AMC card edge connector. The AMC

interface also includes dual 1 GB/2.5 Gb Ethernet ports with support for TCP/IP Offload Engine (TOE), iSCSI, and Remote Direct Memory Access (RDMA). Connectivity on the front panel includes dual 1 Gb Ethernet ports, USB 2.0, and a serial console port.

Flexible I/O and Super Computer Performance

The AMC121 is designed for use in AdvancedTCA carriers or MicroTCA chassis, and allows system designers to build NEBS-compliant, highly reliable solutions that combine state-of-the-art management with the highest performance power and cooling. A clustered computing architecture built with the AMC121 and a standards-compliant Advanced Managed Platform™ offering can outperform proprietary blade server architectures from both a computing-density-per-rack and a total-cost-of-ownership perspective.

NexusWare® Software Support

The AMC121 features support for PT's Linux OS and development environment. NexusWare is an integrated, CGL Registered, and POSIX-compliant Linux OS and development environment that features a graphically integrated toolset.



AMC121 PRODUCT SHEET

Technical Specifications

ORDERING INFORMATION

PT-AMC121-12208

Dual-Core, X.86, 64-bit, 1.5 GHz,
2 GB DDR

PT-AMC121-12280

Dual-Core, X.86, 64-bit, 1.5 GHz,
4 GB DDR

PT-MSD4G-12293

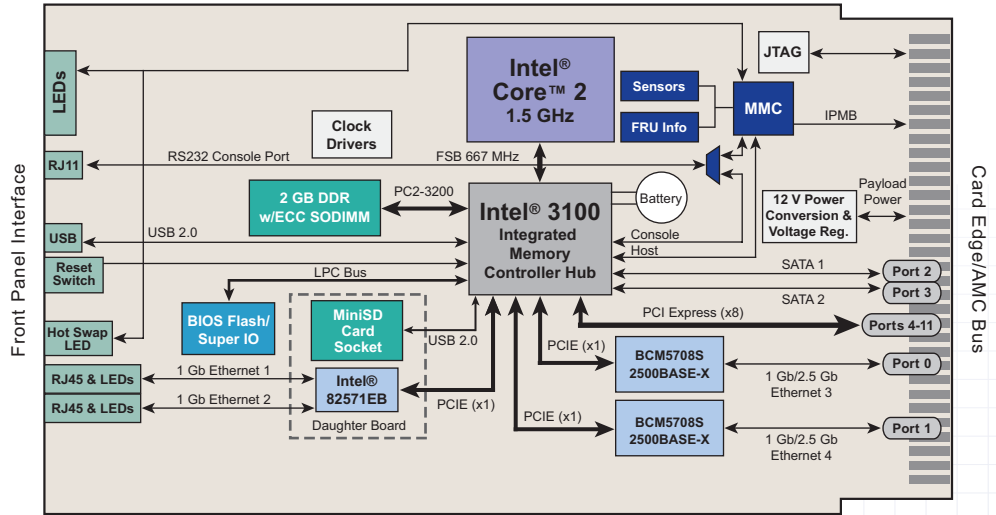
MiniSD™ Module, 4 GB, Class 6

PT-MSD8G-12397

MiniSD Module, 8 GB, Class 6

PT-ACC358-12275

RS232 Debug Cable (console)



AMC121 – Mid-Size, Single Compute Module

Processor

- Intel® Core™ 2 dual-core architecture:
 - Independent L1 cache structures per core
 - Shared L2 cache (4 MB)
 - 64-bit processor
- Compatible with existing 32-bit code base
- Enhanced Intel SpeedStep® technology for more efficient power management

Memory

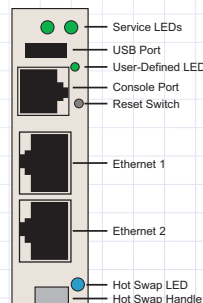
- Low latency, high bandwidth
- 64-bit DDR2 PC2-3200
- 200-pin SO-RDIMM
- Supports up to 4 GB DRAM
- ECC checking with double-bit detect and single-bit correct

Storage

- Onboard MiniSD card site with program and operating system storage space enables the module to boot without an external connection
- Compatible with AMC590 video and storage AdvancedMC™ Module

Front Panel Interfaces

- 2 x 10/100/1000 Ethernet Ports
- One USB 2.0 Port
- Serial Port
- LEDs
 - In-Service
 - Out-of-Service
 - Hot-Swap
 - User-Defined LED
- Reset Switch



AdvancedMC Connector Ports

- Port 0: 1 Gb/2.5 Gb Ethernet Channel 1 (AMC.2)
- Port 1: 1 Gb/2.5 Gb Ethernet Channel 2 (AMC.2)
- Port 2: SATA 1 (AMC.3)
- Port 3: SATA 2 (AMC.3)
- Ports 4-11: x8 PCI Express® Lanes (AMC.1)
 - x1, x4, or x8

Power Consumption

- Payload Power: +12 V
- Management Power: +3.3 V
- Typical: 35 W
- Maximum: 40 W

Mechanical

- Mid-size, single AMC.0 form factor
- Dimensions: 73.5 mm (W) x 180.6 mm (D) x 18.96 mm (H) (2.9 in x 7.1 in x 0.75 in)
- Weight: 0.25 kg (0.55 lb)

Environmental

- Operating: 0 to 55°C (32 to 131°F)
- Non-operating: -20 to 80°C (-4 to 176°F)
- Humidity: 5 to 90% RH non-condensing

Agency Certifications

- FCC Class A
- CE
- UL 60950
- EN 60950
- EN 300 386
- Designed to meet NEBS Level 3

MTBF

- 653,948 hours per Bellcore SR-332 Issue 1

CONTACT US

PT
205 Indigo Creek Drive
Rochester, NY 14626

tel: +1.585.256.0200
fax: +1.585.256.0791
E-mail: sales@pt.com

